

Alumax

640/650 Sliding Shower Door



The Alumax 640/650 Sliding Shower Door for the tub or shower application has sturdy framed panels with dual towel bars that make this not only attractive, but functional.

Features include adjustable sealed heavy duty ball bearing rollers, safety tee-lock wall jambs to header connection, and molded jamb bumpers with concealed fasteners. Molded nylon panel guide of sufficient height to prevent accidental dislodging of interior panel.

The 640/650 Framed Sliding Shower Doors are available in brite silver, satin silver, gold and brushed nickel anodized finishes, as well as an array of powder paint colors including oil rubbed bronze.

640/650 Sliding Shower Door - Framed



Distributor of **ALUMAX**
BATH ENCLOSURES
by Sapa

PRODUCT FEATURES

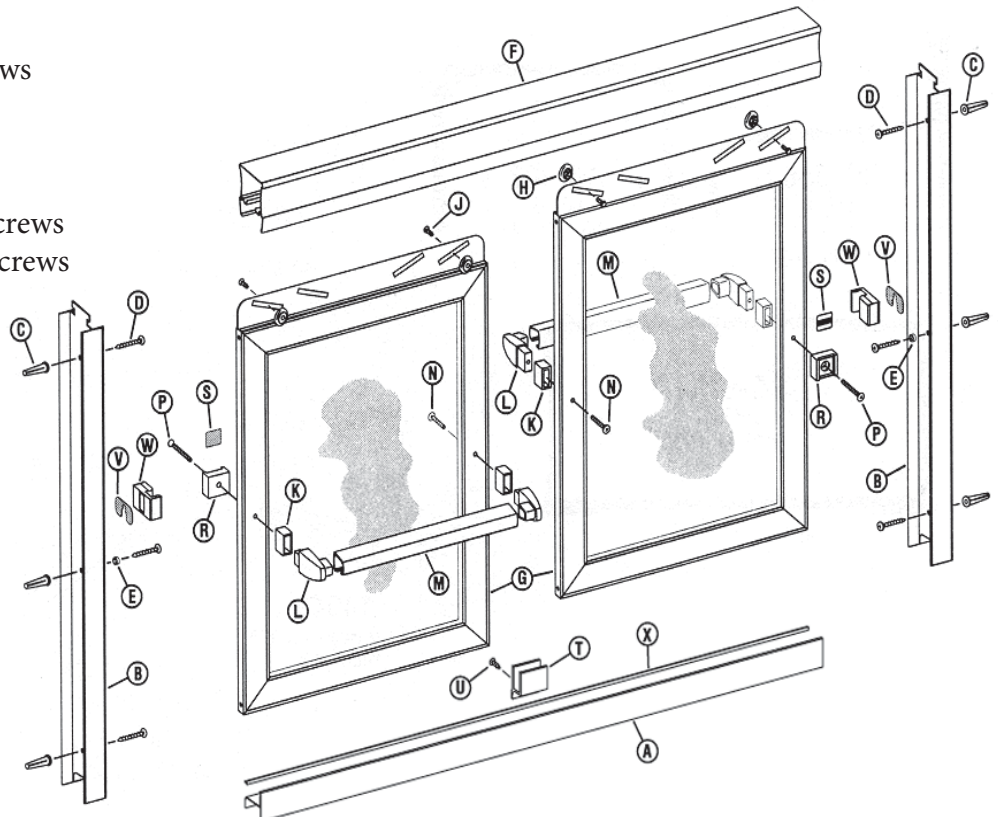
Available in standard and custom configuration.
Tempered safety glass.
Adjustable sealed heavy duty ball bearing rollers.
Up and down adjustment of panels is +/- .156.
Safety tee-lock wall jamb to header connection.
Molded jamb bumpers with concealed fasteners.
Molded nylon panel guide of sufficient height to prevent the accidental dislodging of interior panel.

SIZE LIMITATIONS

Maximum allowable width of unit = 72"

PARTS LIST

- A. 1 Tub Track
- B. 2 Wall Jamb
- C. 6 Plastic Wall Jamb
- D. 6 #8 x 1-1/2" Truss Head Screws
- E. 2 Nylon Spacers
- F. 1 Header
- G. 2 Glazed Panels
- H. 4 Nylon Roller Bearings
- J. 4 #8-32 x 3/8" Hex Head Screws
- K. 4 Towel Bar Trim Rings
- L. 4 Towel Bar Brackets
- M. 2 Towel Bars
- N. 2 #10-24 x 7/8" Truss Head Screws
- P. 2 #10-24 x 1-1/8" Flat Head Screws
- R. 2 Acrylic Finger Pulls
- S. 2 Alumax Decals
- T. 1 Nylon Bottom Guide
- U. 1 #6 x 3/8" Pan Head Screw
- V. 2 Stainless Bumper Inserts
- W. 2 Soft Jamb Bumpers
- X. Vinyl Silencer Screws



(Rev. 6/2014)