

# Alumax

## 340D/350D Sliding Shower Door



The Alumax 340D/350D Sliding Shower Door for the tub or shower application offers a Semi-frameless Euro look.

Features include rounded European Style Profiles, formed metal towel bars, with options for a cushioned back to back knob or pull. The open lower track design allows for easy cleaning.

The 340D/350D Sliding Shower Doors are available in brite silver, satin silver, gold and brushed nickel anodized finishes, as well as an array of powder paint colors including oil rubbed bronze.

# 340D/350D Sliding Shower Door - Frameless



Distributor of **ALUMAX**  
BATH ENCLOSURES  
by Sapa

## PRODUCT FEATURES

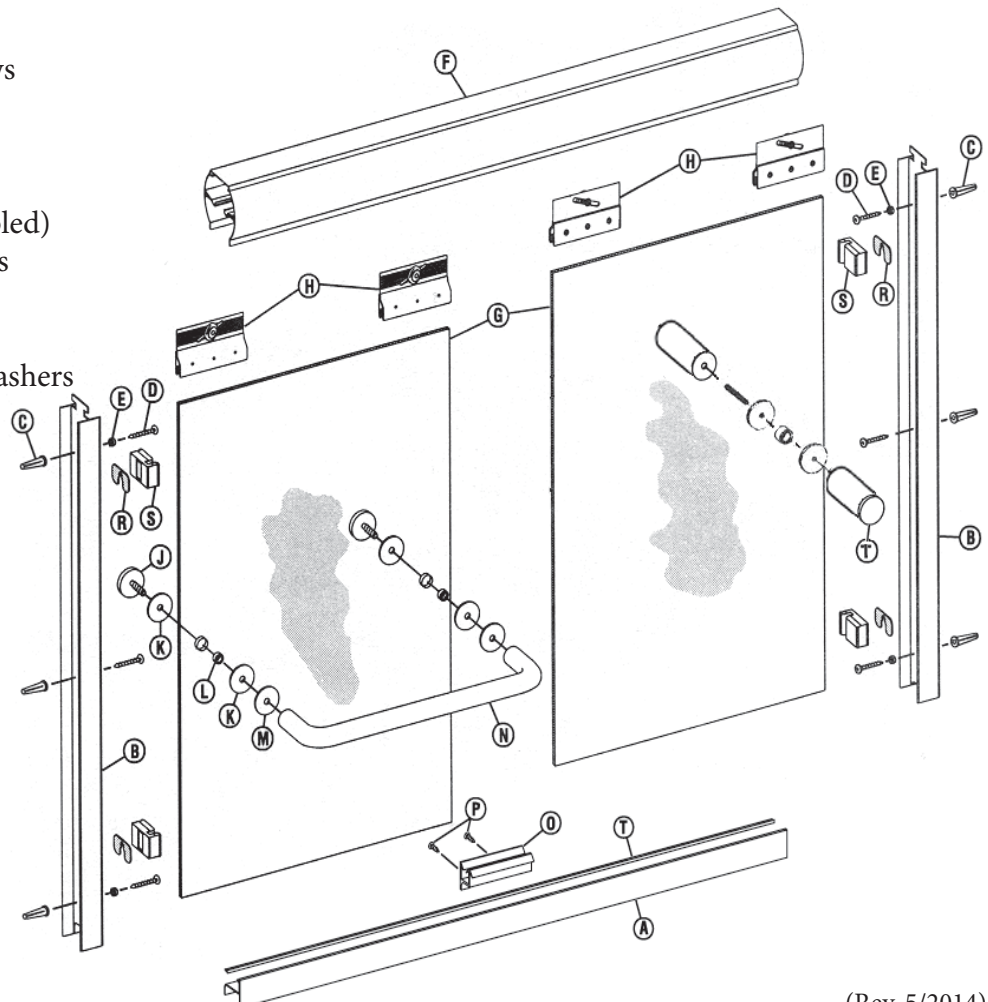
Available in standard and custom configuration.  
Tempered safety glass.  
Adjustable sealed heavy duty ball bearing rollers.  
Up and down adjustment of panels is +/- .156.  
Safety tee-lock wall jamb to header connection.  
Molded jamb bumpers with concealed fasteners.  
Molded nylon panel guide of sufficient height to prevent the accidental dislodging of interior panel.

## SIZE LIMITATIONS

Maximum allowable width of unit = 72"  
Maximum allowable height of unit = 72"

## PARTS LIST

- A. 1 Tub Track with Vinyl
- B. 2 Wall Jamb
- C. 6 Plastic Wall Jamb
- D. 6 #8 x 1-1/2" Truss Head Screws
- E. 4 Nylon Spacers
- F. 1 Header
- G. 2 Glass Lites
- H. 4 Hanger Brackets (pre-assembled)
- J. 4 1" Dia. x 1/8" Thick End Caps
- K. 8 1" Dia. Plastic Washers
- L. 4 Plastic Bushings
- M. 4 1" Dia. x 1/8" Thick Metal Washers
- N. 1 Tubular Towel Bar
- O. 1 PVC Bottom Guide
- P. 2 #6 x 3/8" Pan Head Screws
- R. 4 Stainless Bumper Inserts
- S. 4 Vinyl Jamb Bumpers
- T. Back to Back Cushioned Knob
- V. 1 Vinyl Silencer
- V. 4 Vinyl Jamb Bumpers



(Rev. 5/2014)