

Alumax

700C Shower Door Framed



The Alumax 700C Framed Continuous Hinge Shower Door offers a symmetrical frame for a balanced look.

Features include a full length magnetic closure and a continuous hinge that provides leak prevention and stability.

The 700C Framed Continuous Hinge Shower Door is available in satin, silver, gold and brushed nickel anodized finishes, as well as, an array of powder paint colors including oil rubbed bronze.

700C Continuous Hinge Shower Door - Framed



Distributor of
ALUMAX
BATH ENCLOSURES
by Sapa

PRODUCT FEATURES

Available in standard and custom configuration.
Tempered safety glass.
Door has a continuous extruded ball and socket hinge that is integral to the hinge rail and jamb.
Hinge assembly has a molded bushing attached at the top and bottom of door panel.
Optional towel bar kit.

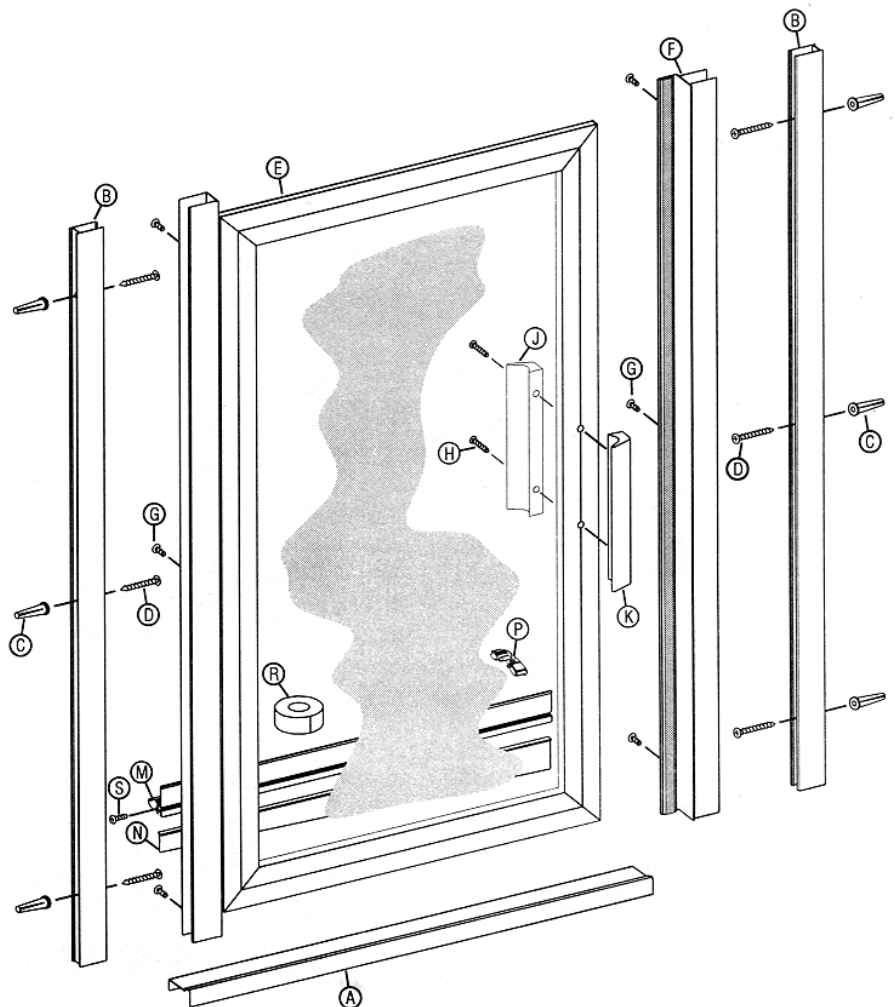
SIZE LIMITATIONS

Maximum allowable width of unit = 38 (@ 72 tall)
Maximum allowable height of unit = 84 (@ 30 wide)



PARTS LIST

- A. 1 Curb
- B. 2 Wall Jamb
- C. 6 Plastic Wall Anchors
- D. 6 #8 x 1-1/2 Truss Head Screws
- E. 1 Glazed Door Panel
- F. 1 Strike Jamb with Magnet
- G. 6 #8 x 1/4 Truss Head Screws
- H. 2 #6 x 1-1/4 Pan Head Screws
- J. 1 Interior Door Handle
- K. 1 Exterior Door Handle
- M. 1 Drip Rail
- N. 1 Tapered Drip Rail
- P. 2 Drip Plugs
- R. 1 Roll of Double Stick Tape
- S. 1 #6 x 3/8 Truss Head Screw



(Rev. 7/07)